

## Lighting News 2015 Part 2



***Hera***<sup>®</sup>

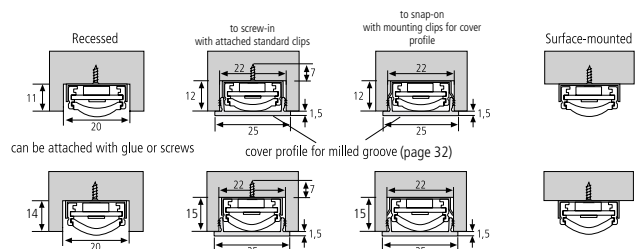
# LED Power-Stick T / TF

Powerful small plug-in LED Stick without dark zones

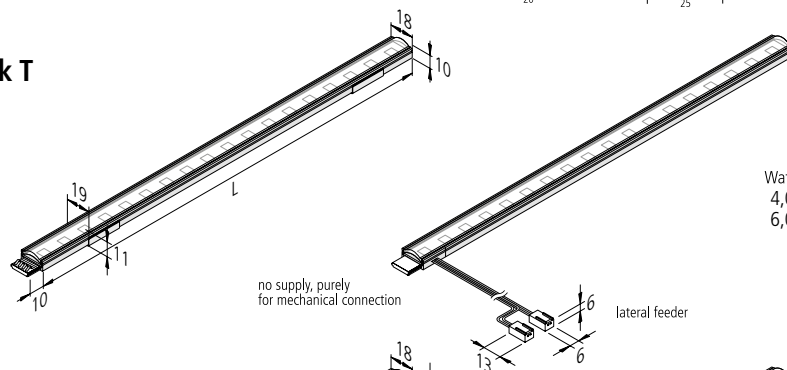


- Connection:** LED-transformer DC 24 V
- Lamp:** extremely long-life 333 / 167 mW LED,  $\varnothing$  life 30,000 hours
- Energy efficiency:** LED: 80 / 100 lm/W; Luminaire: 1450 / 1700 lm/m (73 / 85 lm/W); this luminaire contains built-in, not changeable LED lamps of the energy efficiency class A to A++
- Colour rendering:** Ra/CRI > 95 / 82
- Special features:** no UV rays; maximum 48 W or 2,4 m per supply cable; without dark zones; LED Stick with lateral feeder for continues strip lighting; Version TF without visible luminous spots

LED Power-Stick T					LED Power-Stick TF			
	85°	xw	ww	nw	cw	120°	ww	nw
0,5m	$\varnothing$ 560	3244 lx	3376 lx	3480 lx	3612 lx	$\varnothing$ 610	lx 2080 lx	
1,0m	$\varnothing$ 1120	811 lx	844 lx	870 lx	903 lx	$\varnothing$ 1220	lx 520 lx	
1,5m	$\varnothing$ 1680	360 lx	375 lx	387 lx	401 lx	$\varnothing$ 1830	lx 231 lx	
2,0m	$\varnothing$ 2240	203 lx	211 lx	218 lx	226 lx	$\varnothing$ 2440	lx 130 lx	
2,5m	$\varnothing$ 2800	130 lx	135 lx	139 lx	144 lx	$\varnothing$ 3050	lx 83 lx	

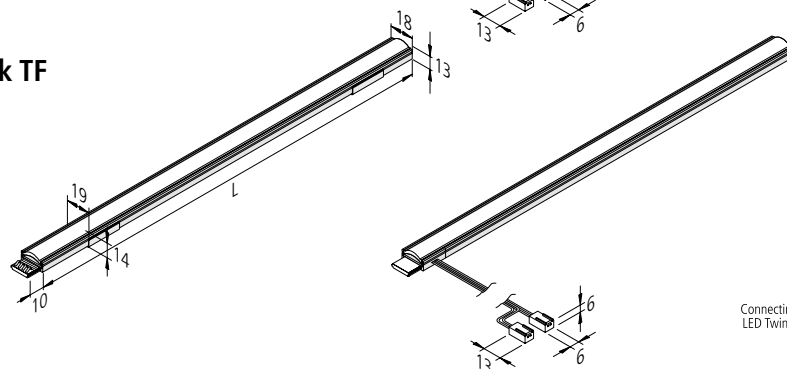


## LED Power-Stick T



Wattage L  
4,0 W 200 mm  
6,0 W 300 mm

## LED Power-Stick TF



Supply cable  
LED Twin-Stick 2  
1000 / 2500

Connecting cable  
LED Twin-Stick 2  
30 - 2000

# LED Power-Stick T / TF

Powerful small plug-in LED Stick without dark zones



**New**

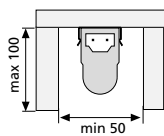
Article No.	Description	Illustration	Features	Weight
202 026 401 02	LED Power-Stick TF 200mm 24 LED 4W ww		• colour appearance ww (warm white) appr. 3000 K	45 g
202 026 402 02	LED Power-Stick TF 300mm 36 LED 6W ww		• incl. lateral feeder 2,5 m	68 g
202 026 402 12	LED Power-Stick TF 300mm 36 LED 6W ww SE 2,5m		110 g	
202 026 401 03	LED Power-Stick TF 200mm 24 LED 4W nw		• colour appearance nw (neutral white) appr. 4000 K	45 g
202 026 402 03	LED Power-Stick TF 300mm 36 LED 6W nw		• incl. lateral feeder 2,5 m	68 g
202 026 402 13	LED Power-Stick TF 300mm 36 LED 6W nw SE 2,5m		110 g	
202 023 901 04	LED Power-Stick T 200mm 12 LED 4W xw		• colour appearance xw (extra warm white) appr. 2700 K	45 g
202 023 902 04	LED Power-Stick T 300mm 18 LED 6W xw		• incl. lateral feeder 2,5 m	68 g
202 023 902 14	LED Power-Stick T 300mm 18 LED 6W xw SE 2,5m		110 g	
202 023 901 02	LED Power-Stick T 200mm 12 LED 4W ww		• colour appearance ww (warm white) appr. 3000 K	45 g
202 023 902 02	LED Power-Stick T 300mm 18 LED 6W ww		• incl. lateral feeder 2,5 m	68 g
202 023 902 12	LED Power-Stick T 300mm 18 LED 6W ww SE 2,5m		110 g	
202 023 901 03	LED Power-Stick T 200mm 12 LED 4W nw		• colour appearance nw (neutral white) appr. 4000 K	45 g
202 023 902 03	LED Power-Stick T 300mm 18 LED 6W nw		• incl. lateral feeder 2,5 m	68 g
202 023 902 13	LED Power-Stick T 300mm 18 LED 6W nw SE 2,5m		110 g	
202 023 901 01	LED Power-Stick T 200mm 12 LED 4W cw		• colour appearance cw (cool white) appr. 5000 K	45 g
202 023 902 01	LED Power-Stick T 300mm 18 LED 6W cw		• incl. lateral feeder 2,5 m	68 g
202 023 902 11	LED Power-Stick T 300mm 18 LED 6W cw SE 2,5m		110 g	
215 270 625 32	Supply cable LED Twin-Stick 2 1000mm		• connection between transformer and first Stick	21 g
215 272 625 02	Supply cable LED Twin-Stick 2 2500mm		40 g	
215 270 600 22	Connecting cable LED Twin-Stick 2 30 mm		• connection between two Twin-Sticks	5 g
215 270 603 02	Connecting cable LED Twin-Stick 2 300 mm		11 g	
215 270 607 02	Connecting cable LED Twin-Stick 2 700 mm		17 g	
215 270 610 12	Connecting cable LED Twin-Stick 2 1000 mm		21 g	
215 270 620 12	Connecting cable LED Twin-Stick 2 2000 mm	40 g		
217 032 402 01	Dip switch LED Twin-Stick 2 anodized aluminium		• 50mm	7 g
202 040 107 04	Mounting clip LED Twin-Stick 2		• included with Stick • incl. 2 screws and 2 adhesive strips	4 g
206 040 011 01	Transformer LED 24/15W DC 24V		• mains cable 2m with Euro plug	167 g
206 040 012 01	Transformer LED 24/30W DC 24V		• with 12-way distributor	250 g
206 040 019 01	Transformer LED 24/75W DC 24V		• further information from page 132	460 g
615 000 505 26	24V Dim Controller radio controller incl. 4 channel radio telecontrol		• as optional accessory	130 g
615 000 505 23	24V Dim Controller radio controller incl. mounting radio telecontrol		• further dim controller page 138	105 g
615 000 505 24	24V Dim Controller radio controller incl. recessed radio telecontrol		80 g	
Accessories:	Profiles page 32			

# LED BasicLite F

LED Linear Luminaire for 230V

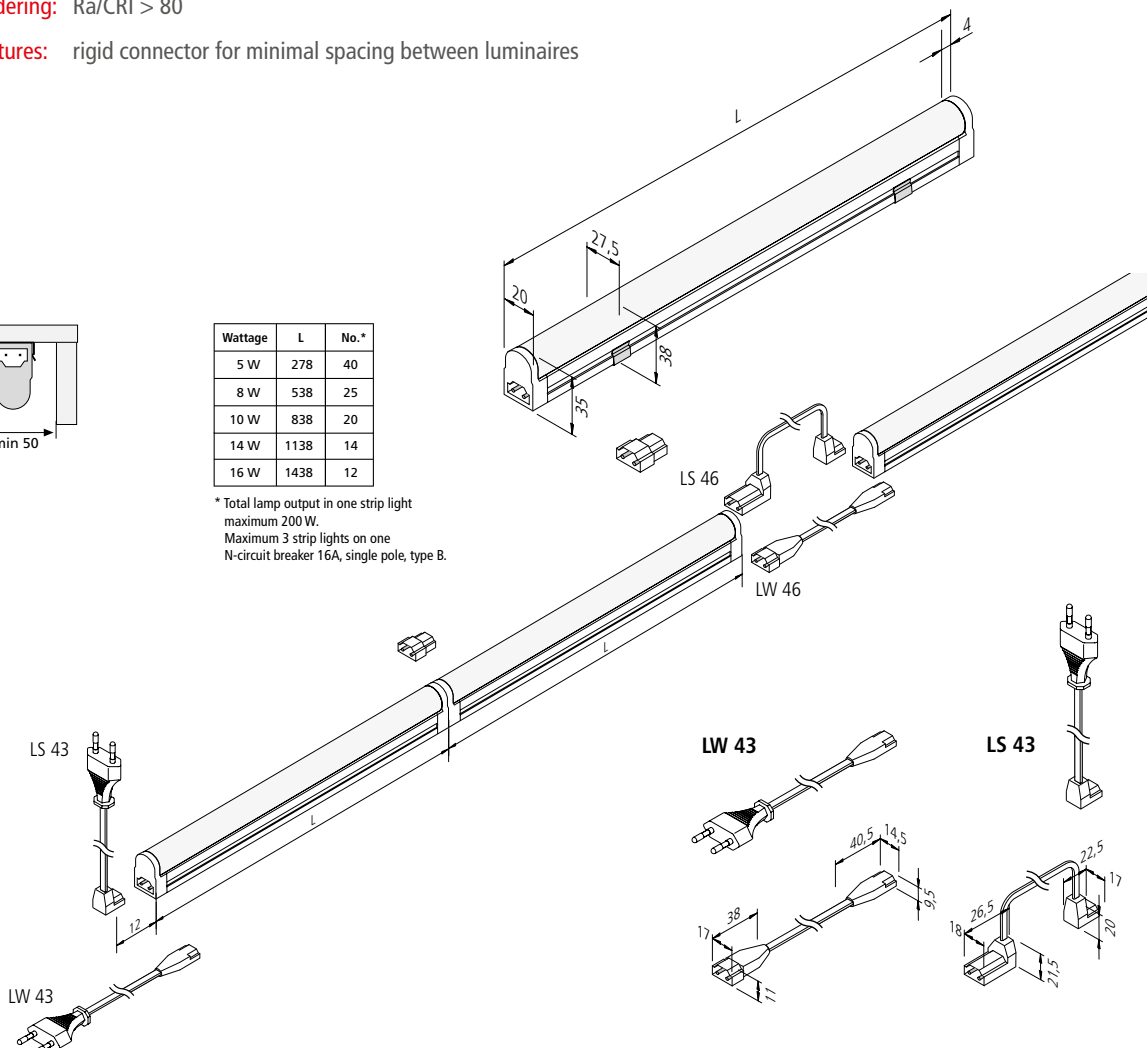


- Connection:** 220 – 240V / 50 – 60Hz
- Lamp:** extremely long-life 333 mW LED,  $\varnothing$  life 30,000 hours
- Energy efficiency:** LED: 100 lm/W; Luminaire: 1300 lm/m (90 lm/W); this luminaire contains built-in, not changeable LED lamps of the energy efficiency class A to A++
- Colour rendering:** Ra/CRI > 80
- Special features:** rigid connector for minimal spacing between luminaires



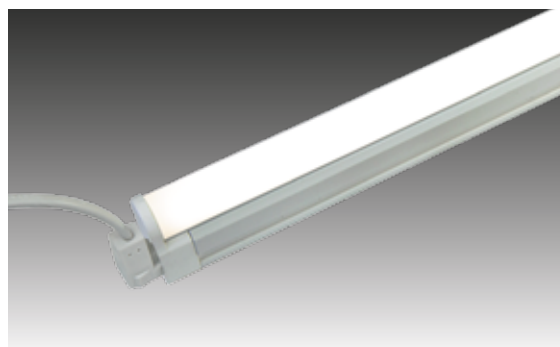
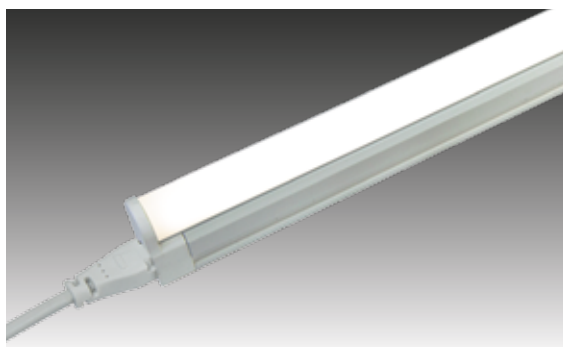
Wattage	L	No.*
5 W	278	40
8 W	538	25
10 W	838	20
14 W	1138	14
16 W	1438	12

\* Total lamp output in one strip light maximum 200 W.  
Maximum 3 strip lights on one N-circuit breaker 16A, single pole, type B.



# LED BasicLite F

LED Linear Luminaire for 230V



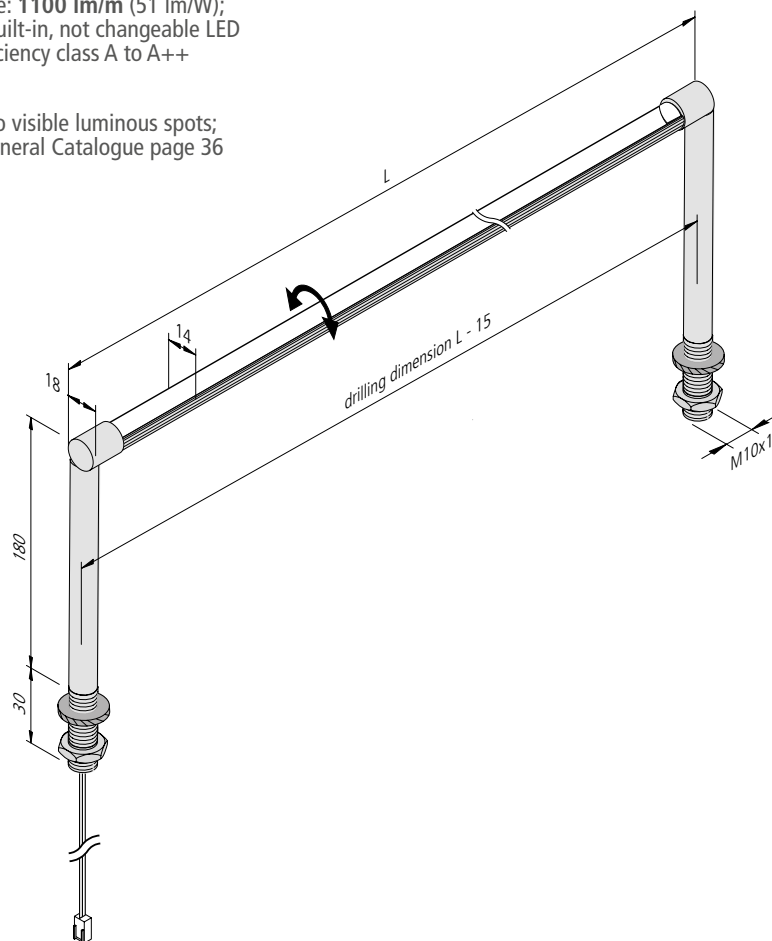
Article No.	Description	Illustration	Features	Weight
202 026 101 02	LED BasicLite F 278mm 5W ww		<ul style="list-style-type: none"> <li>• colour appearance ww (<b>warm white</b>) appr. 3000 K</li> <li>• incl. mounting clip</li> <li>• incl. coupling</li> </ul>	95 g
202 026 102 02	LED BasicLite F 538mm 8W ww			165 g
202 026 103 02	LED BasicLite F 838mm 10W ww			235 g
202 026 104 02	LED BasicLite F 1138mm 14W ww			315 g
202 026 105 02	LED BasicLite F 1438mm 16W ww			400 g
202 026 101 03	LED BasicLite F 278mm 5W nw		<ul style="list-style-type: none"> <li>• colour appearance nw (<b>neutral white</b>) appr. 4000 K</li> <li>• incl. mounting clip</li> <li>• incl. coupling</li> </ul>	95 g
202 026 102 03	LED BasicLite F 538mm 8W nw			165 g
202 026 103 03	LED BasicLite F 838mm 10W nw			235 g
202 026 104 03	LED BasicLite F 1138mm 14W nw			315 g
202 026 105 03	LED BasicLite F 1438mm 16W nw			400 g
215 380 103 18	LW 43/1800 mains cable with Euro 1,8m		<ul style="list-style-type: none"> <li>• <b>horizontal</b> luminaire connection</li> </ul>	95 g
215 380 106 01	LW 46/ 150 connecting cable 0,15m			20 g
215 380 106 03	LW 46/ 300 connecting cable 0,3m			30 g
215 380 106 06	LW 46/ 600 connecting cable 0,6m			40 g
215 380 106 12	LW 46/1200 connecting cable 1,2m			80 g
215 380 106 18	LW 46/1800 connecting cable 1,8m			120 g
215 380 203 18	LS 43/1800 mains cable with Euro 1,8m		<ul style="list-style-type: none"> <li>• <b>vertical</b> luminaire connection</li> </ul>	95 g
215 380 206 01	LS 46/ 150 connecting cable 0,15m			20 g
215 380 206 03	LS 46/ 300 connecting cable 0,3m			30 g
215 380 206 06	LS 46/ 600 connecting cable 0,6m			40 g
215 380 206 12	LS 46/1200 connecting cable 1,2m			80 g
215 380 206 18	LS 46/1800 connecting cable 1,8m			120 g

# LED Pipe VF

Adjustable LED Linear Luminaire with homogeneous planar light



- Connection:** LED-transformer DC 24 V
- Lamp:** extremely long-life 70 mW LED, ø life 30.000 hours
- Energy efficiency:** LED: 68 lm/W; Luminaire: **1100 lm/m** (51 lm/W); his luminaire contains built-in, not changeable LED lamps of the energy efficiency class A to A++
- Colour rendering:** Ra/CRI > 80
- Special features:** LEDs adjustable 360°; no visible luminous spots; further Pipe-Versions General Catalogue page 36



Article No.	Description	Features	Weight
610 018 701 03	LED Pipe VF 935/180mm 19,5W nw	<ul style="list-style-type: none"> <li>• colour appearance nw (<b>neutral white</b>) appr. 4000 K</li> <li>• supply cable 2,3 m with LED 24 plug</li> <li>• further versions <b>from 10 pieces</b> on request</li> </ul>	400 g
610 018 702 03	LED Pipe VF 1235/180mm 26,0W nw		485 g
206 040 012 01	Transformer LED 24/30W DC 24V	<ul style="list-style-type: none"> <li>• mains cable 2m with Euro plug</li> <li>• with 12-way distributor</li> </ul>	250 g

# Dynamic LED Slim-Pad F

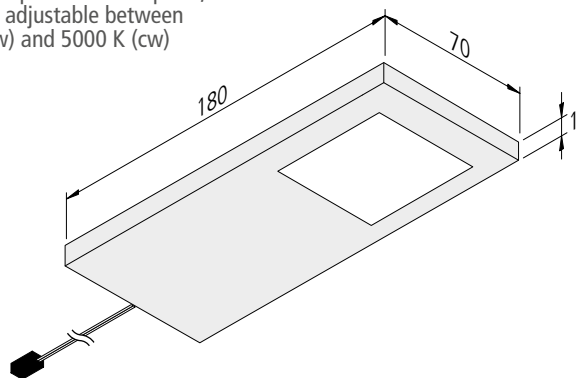


Flat LED Under-Cabinet Luminaire with adjustable colour appearance



- Connection:** LED transformer DC 24 V
- Lamp:** extremely long-life 2x 35 x 140 mW LED, ø life 30,000 hours
- Energy efficiency:** LED: 100 lm/W; Luminaire: 285 lm (57 lm/W); this luminaire contains built-in, not changeable LED lamps of the energy efficiency class A to A++
- Colour rendering:** Ra/CRI > 85
- Special features:** no UV-rays; minimal power consumption; colour appearance adjustable between approx. 2700 K (xw) and 5000 K (cw)

		xw	nw
0,5m	ø 620	472 lx	504 lx
1,0m	ø 1240	108 lx	126 lx
1,5m	ø 1860	52 lx	56 lx
2,0m	ø 2480	30 lx	32 lx
2,5m	ø 3100	19 lx	20 lx



Article No.	Description	Illustration	Features	Weight
610 018 601 01	Dynamic LED Slim-Pad F 5W white		<ul style="list-style-type: none"> <li>• colour appearance adjustable between approx. 2700 K and 5000 K</li> <li>• supply cable 2,5 m with Dynamic plug</li> </ul>	150 g
610 018 601 08	Dynamic LED Slim-Pad F 5W stainless steel			150 g
215 350 610 01	Connecting cable Dynamic 1m		<ul style="list-style-type: none"> <li>• connection between distributor and luminaire</li> </ul>	16 g
215 350 625 01	Connecting cable Dynamic 2,5m			40 g
215 080 607 14	Dynamic 4-way distributor		<ul style="list-style-type: none"> <li>• cable 100 mm with Dynamic plug</li> <li>• for 3 additional mains cables</li> </ul>	16 g
206 040 023 01	Transformer LED 24/ 5W DC 24V		<ul style="list-style-type: none"> <li>• mains cable 2 m with Euro plug</li> <li>• 12-way distributor</li> </ul>	160 g
206 040 011 01	Transformer LED 24/15W DC 24V			167 g
206 040 012 01	Transformer LED 24/30W DC 24V			250 g
206 040 019 01	Transformer LED 24/75W DC 24V			460 g
<b>Accessories:</b>	<b>Dynamic-Controller page 12</b>			

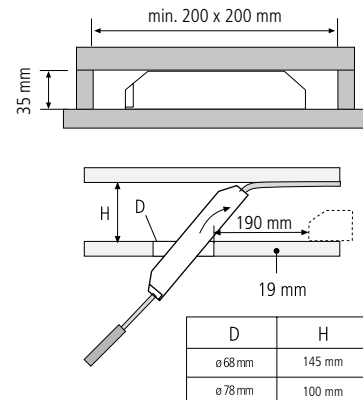
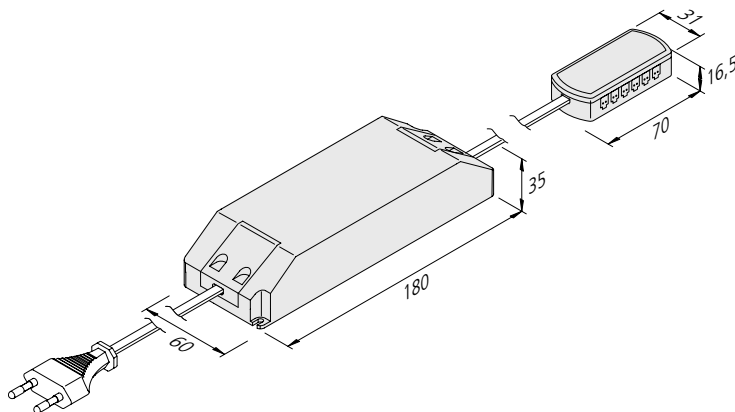
# LED 24/30W dim



Dimmable safety isolating transformer for 24V DC LED up to 30W



- Connection: 220 – 240 V / 50/60 Hz
- Output: 18 – 30 W
- constant 24 V DC
- protected against short-circuit , overload and no-load
- max. length of secondary cables: 5 m each
- recommended trailing edge dimmer: **Busch-Jaeger 6513U** or **Jung 225TDE**
- Dim range: 10 – 100 %

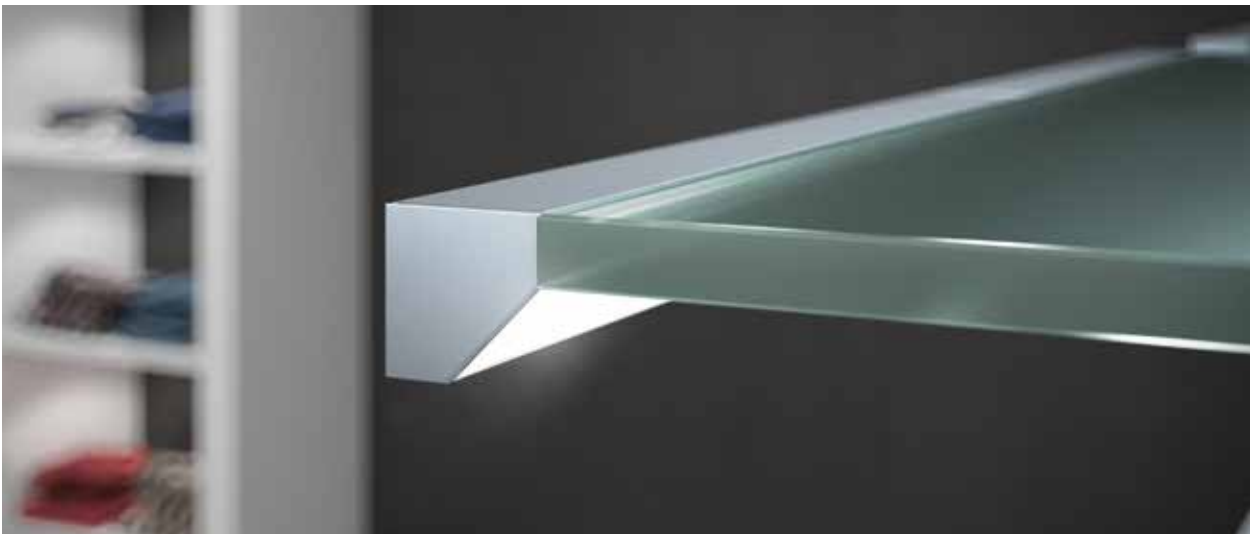


Article No.	Description	Features	Weight
615 003 008 21	Transformer LED 24/30W dim DC 24V with 12-way distributor Euro	<ul style="list-style-type: none"> <li>• mains cable 2 m with Euro plug</li> <li>• 18 W minimum load</li> <li>• recommended trailing edge dimmer: <b>Busch-Jaeger 6513U</b> or <b>Jung 225TDE</b></li> </ul>	575 g

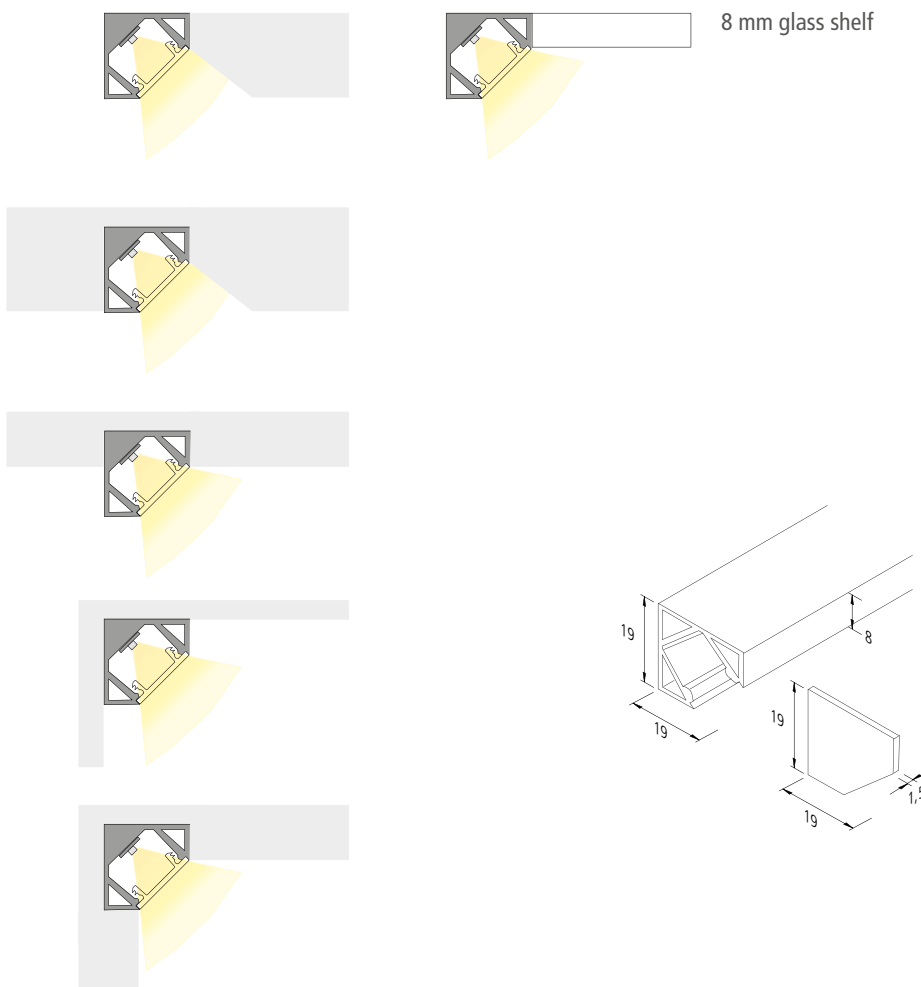


# LED Corner Profile

Versatile aluminium profile for LED strips



- A variety of options for recessed and surface-mounted installation

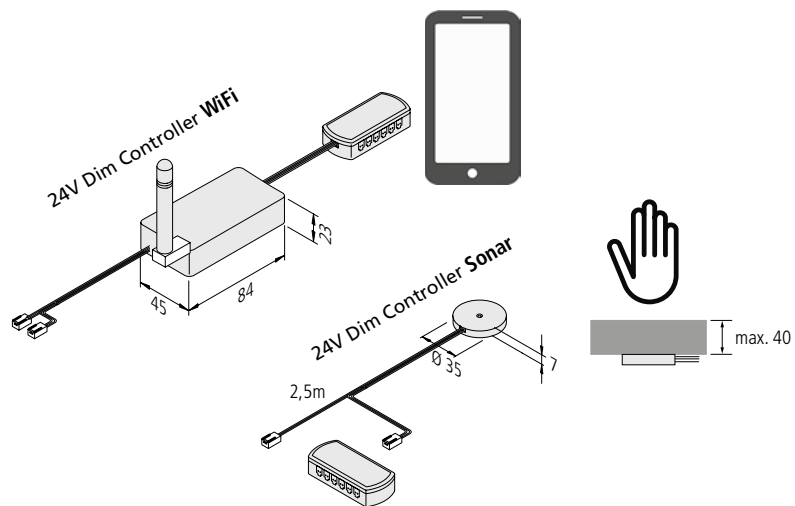
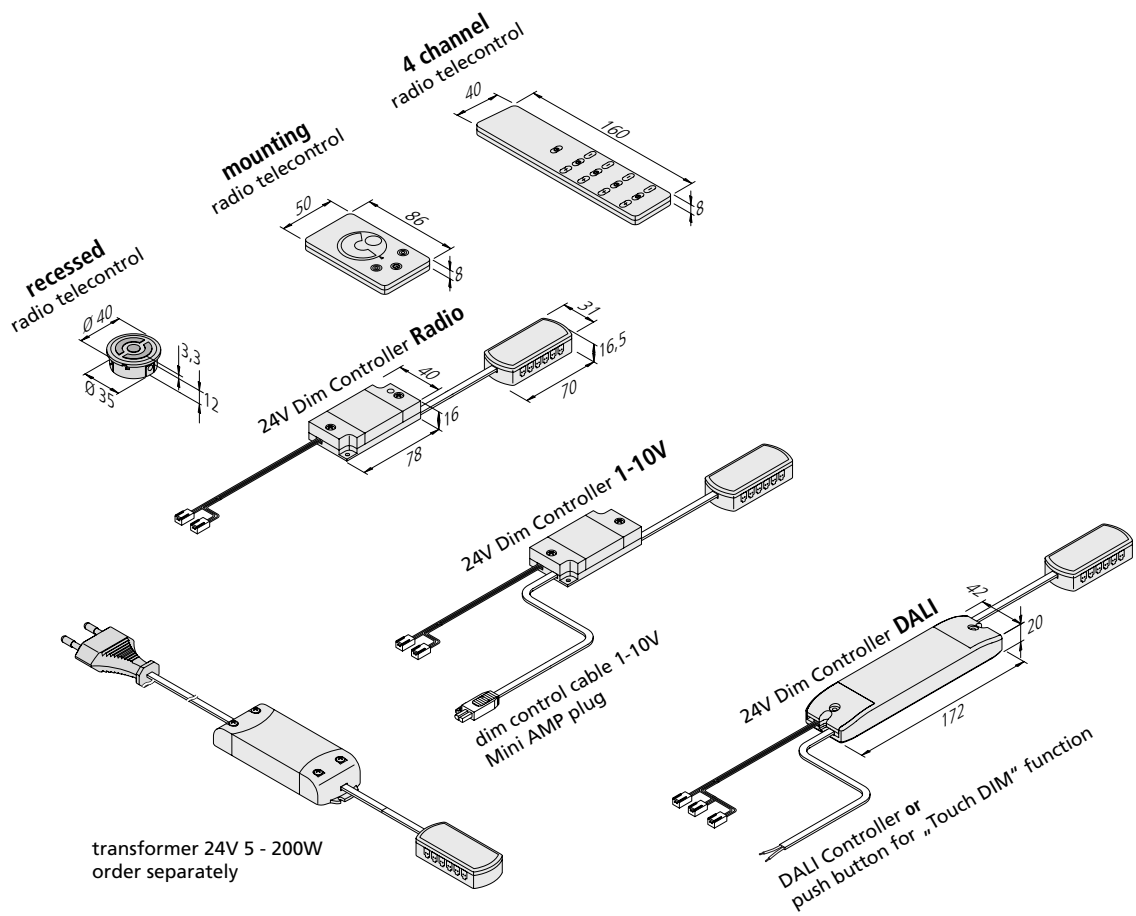
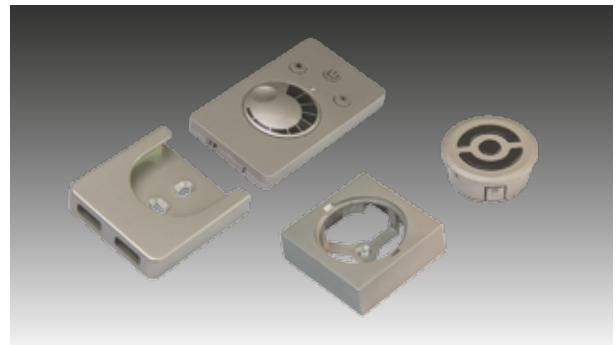


Article No.	Description	Illustration	Features	Weight
615 000 320 01	LED Corner Profile 19mm 1m		<ul style="list-style-type: none"> <li>• anodized aluminium</li> <li>• for cover profile 15mm</li> </ul>	240 g
615 000 320 61	LED Corner Profile 19mm 2,95m set of 5		3600 g	
615 000 310 31	Front cover LED Corner Profile 19mm		<ul style="list-style-type: none"> <li>• set of 2 with screws</li> </ul>	3 g

# LED 24 V Dim Controller



Dim Controller as optional accessory for 24 V transformer



# LED 24 V Dim Controller

Dim Controller as optional accessory for 24 V transformer



- constant 24 V DC
- Easy plug-in connection for new or existing installations
- with Memory-Function (after cut off from mains the last dimming status is recovered)
- radio telecontrol to dim and switch (operating distance 15m / less for walls and ceilings)
- 4 channel radio telecontrol with master button combinable with dynamic controllers
- mounting radio telecontrol with wall mounting
- recessed radio telecontrol for wood with 35 mm cut-out min. 12 mm incl. mounting housing stainless steel
- plenty of radio controllers can be activated simultaneously using a remote control or per channel
- Dim controller DALI for connection to complex controls or Bus systems
- controllable with every iOS or Android smartphone or tablet (with free of charge Hera-App), operating distance up to 50 m
- easy installation with Plug & Play components and connecting system
- can be used as stand-alone-system without an existing WiFi system; with an existing WiFi system an almost unlimited number of controllers can be used
- Sonar Controller for invisible switching and dimming behind wood, glass, stone, or ceramic with a max. size of 40 mm

Article No.	Description	Features	Weight
615 000 505 26	24V Dim Controller <b>radio controller</b> 75W with 12-way distributor	• <b>incl. 4 channel radio telecontrol</b> to dim and switch	130 g
615 000 505 23	24V Dim Controller <b>radio controller</b> 75W with 12-way distributor <sup>1)</sup>	• <b>incl. mounting radio telecontrol</b> to dim and switch	105 g
615 000 505 24	24V Dim Controller <b>radio controller</b> 75W with 12-way distributor <sup>1)</sup>	• <b>incl. recessed radio telecontrol</b> to dim and switch	80 g
208 050 030 02	24V Dim Controller <b>radio controller</b> 75W with 12-way distributor <sup>1)</sup>	• <b>without</b> radio telecontrol	65 g
208 050 030 01	24V Dim Controller <b>1-10V</b> 75W with 12-way distributor	• dim control cable 0,3m with Mini AMP-plug / dim current < 1 mA	80 g
615 000 505 11	24V Dim Controller <b>DALI</b> 120W with 12-way distributor	• dim control cable 0,3m with ferrules	125 g
615 000 509 01	24V Dim Controller <b>WiFi</b> 75W with 12-way distributor	• operating distance 50 m • less for walls and ceilings	110 g
208 050 030 41	24V Dim Controller <b>Sonar</b> 48W with 11-way distributor	• dim control cable 2,5 m • incl. screw and adhesive strip	70 g
<b>Accessories:</b>	<b>LED Transformers 24 V General Catalogue from page 132</b>		

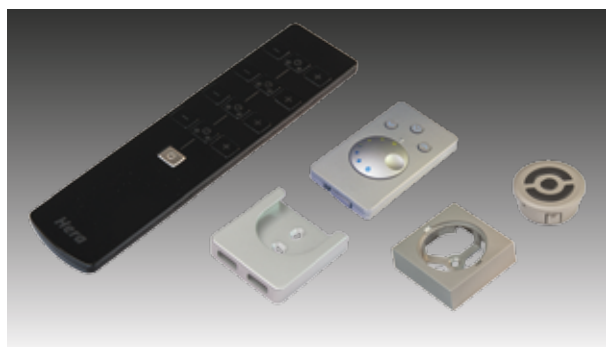
**New**

<sup>1)</sup> only radio controller versions (mounting / recessed)

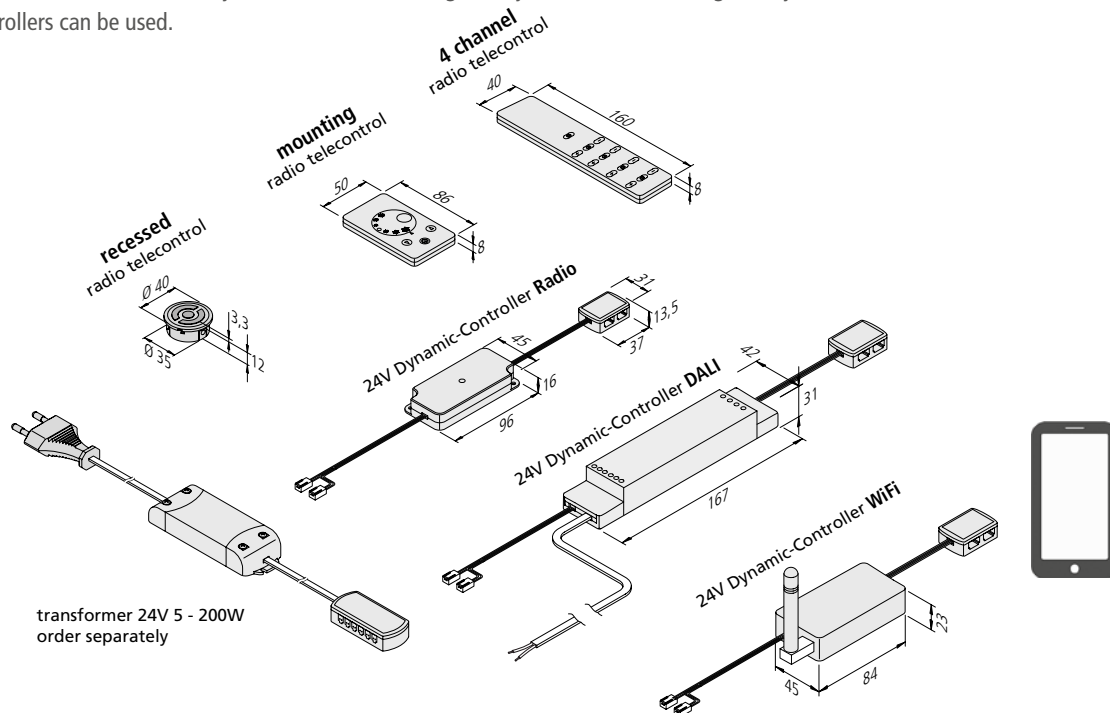
# LED 24V Dynamic-Controller



Dynamic-Controller to control the colour appearance



- constant 24 V DC
- Easy plug-in connection for new or existing installations
- with Memory-Function (after cut off from mains the last colour appearance and brightness is recovered)
- radio telecontrol to control the colour appearance, dim and switch (operating distance 15m / less for walls and ceilings)
- 4 channel radio telecontrol with master button combinable with dim controllers
- mounting radio telecontrol with wall mounting
- recessed radio telecontrol for wood with 35 mm cut-out min. 12 mm incl. mounting housing stainless steel
- plenty of radio controllers can be activated simultaneously using a remote control
- Dim controller DALI for connection to complex controls or Bus systems
- controllable with every iOS or Android smartphone or tablet (with free of charge Hera-App), operating distance up to 50 m
- easy installation with Plug & Play components and connecting system
- can be used as stand-alone-system without an existing WiFi system; with an existing WiFi system an almost unlimited number of controllers can be used.



Article No.	Description	Features	Weight
615 000 505 32	24V Dynamic-Controller radio controller 75W with 4-way distributor	• incl. 4 channel radio telecontrol to adjust the colour, dim and switch	130 g
615 000 505 31	24V Dynamic-Controller radio controller 75W with 4-way distributor	• incl. mounting radio telecontrol to adjust the colour, dim and switch	105 g
615 000 505 34	24V Dynamic-Controller radio controller 75W with 4-way distributor	• incl. recessed radio telecontrol to adjust the colour, dim and switch	80 g
208 050 030 12	24V Dynamic-Controller radio controller 75W with 4-way distributor	• without radio telecontrol	65 g
615 000 505 33	24V Dynamic-Controller DALI 75W with 4-way distributor	• dim control cable 0,3m with ferrules • to adjust the colour, dim and switch of Dynamic luminaires	115 g
615 000 509 21	24V Dynamic-Controller WiFi 75W with 4-way distributor	• operating distance 50 m, less for walls and ceilings	100 g
Accessories:	LED Transformers 24 V General Catalogue from page 132		

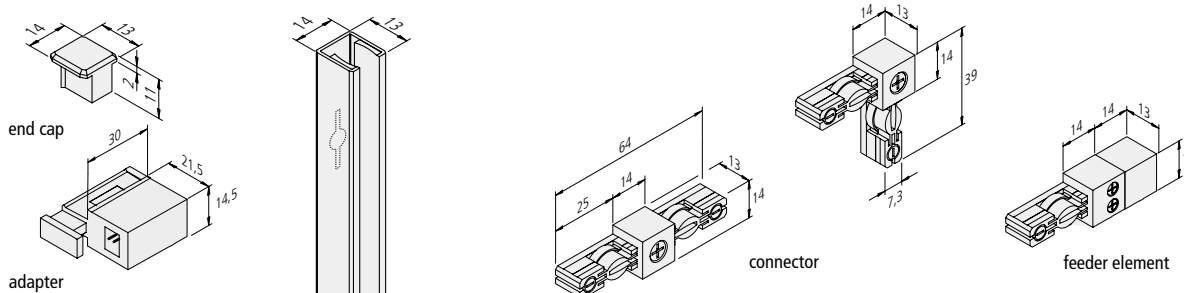
**New**

# Track 24V

Low-volt supply track system for 24 V DC



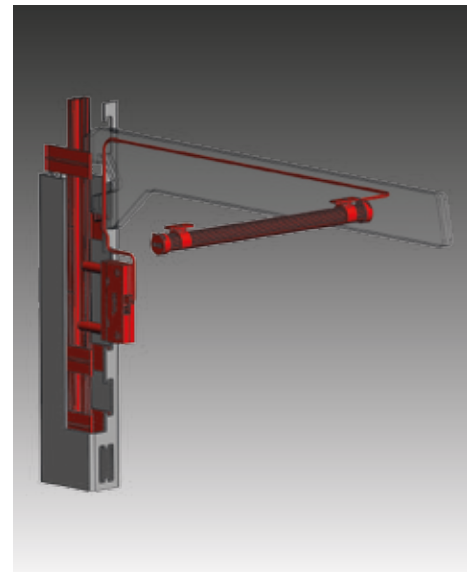
**Output:** max. 200W per track / 48W per adapter  
**Special features:** adapter with double LED 24-connector for optional power supply of two shelves; suitable luminaires and other accessories page 100



Article No.	Description	Illustration	Features	Weight	
218 000 801 03	LED Track adapter black		<ul style="list-style-type: none"> <li>with 2x LED 24-connector</li> <li>max. 2x 48 W</li> </ul>	10 g	
218 000 801 07	LED Track adapter anodized aluminium			10 g	
218 000 101 03	LED Track 300mm black		<ul style="list-style-type: none"> <li>can be shortened</li> <li>incl. fastening screws</li> </ul>	70 g	
218 000 101 07	LED Track 300mm anodized aluminium		70 g		
218 000 102 03	LED Track 600mm black		140 g		
218 000 102 07	LED Track 600mm anodized aluminium		140 g		
218 000 103 03	LED Track 1000mm black		230 g		
218 000 103 07	LED Track 1000mm anodized aluminium		230 g		
218 000 201 23	LED Track Feeder Element black			<ul style="list-style-type: none"> <li>with screw terminals for connection to the transformer</li> <li>max. 200 W</li> </ul>	7 g
218 000 201 27	LED Track Feeder Element anodized aluminium				7 g
218 000 301 03	LED Track Connector black		<ul style="list-style-type: none"> <li>180° connector</li> </ul>	10 g	
218 000 301 07	LED Track Connector anodized aluminium			10 g	
218 000 401 03	LED Track Corner Connector black		<ul style="list-style-type: none"> <li>90° connector</li> </ul>	10 g	
218 000 401 07	LED Track Corner Connector anodized aluminium			10 g	
218 000 501 03	LED Track End Cap black			2 g	
218 000 501 07	LED Track End Cap anodized aluminium			2 g	
615 003 008 17	Transformer LED 24/ 30W with connecting cable 1m		<ul style="list-style-type: none"> <li>Mains cable 2 m with Euro plug</li> </ul>	250 g	
615 003 012 12	Transformer LED 24/ 75W with connecting cable 1m			460 g	
206 040 030 01	Transformer LED 24/200W with connecting cable 1m		<ul style="list-style-type: none"> <li>Mains cable 2 m with shockproof plug</li> </ul>	1500 g	

# SPS Shelf Power System

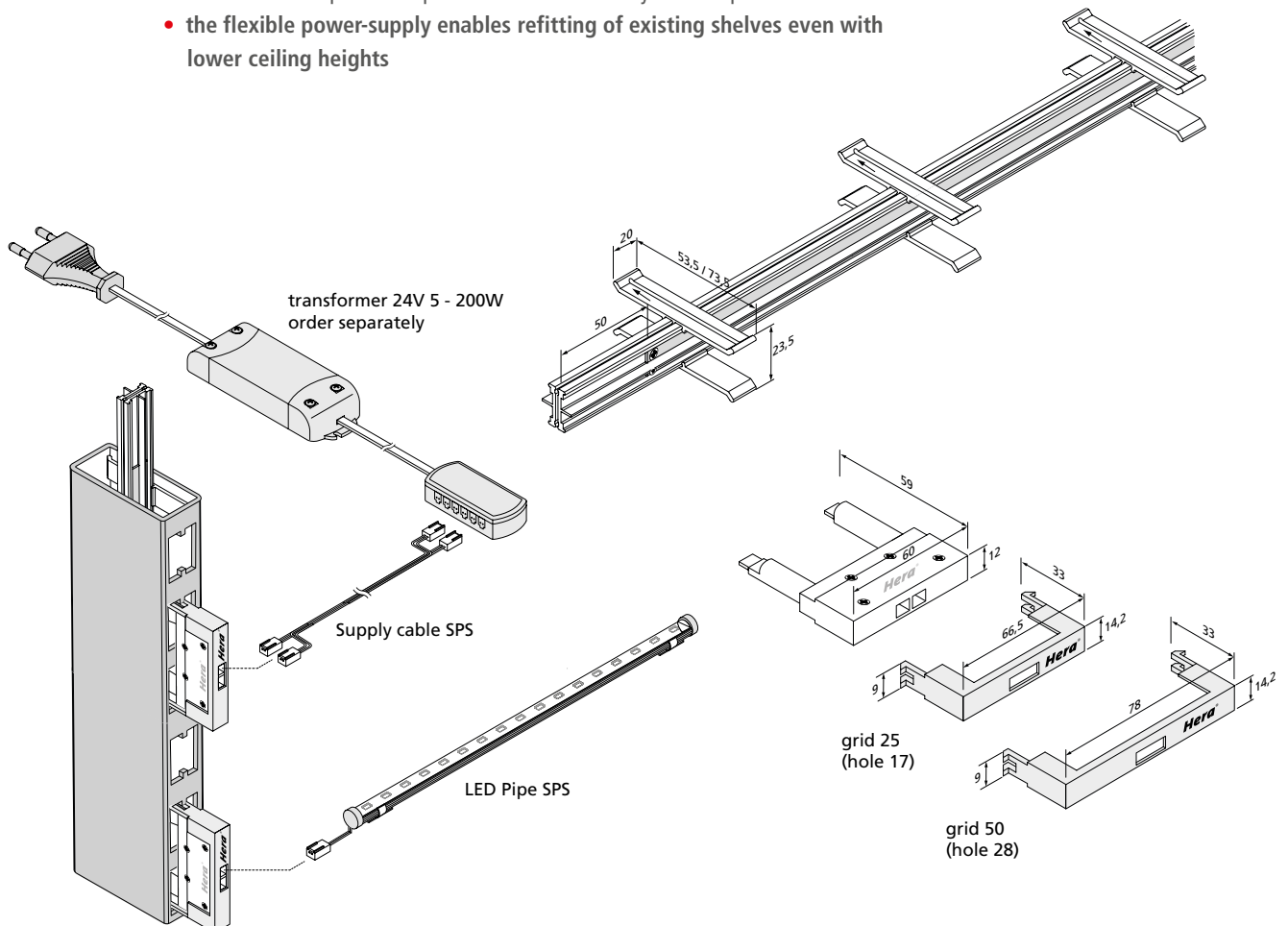
Invisible shelf-power-supply 24 V



**Connection:** LED transformer DC 24 V

**Output:** max. 96 W per feeder element / 2 x 48 W per adapter

- Special features:**
- easy and time-saving installation without tools
  - suitable for Tego Classic (3 hook console 121605 only in oblique state)
  - one Plug&Play - system as a complete solution, combinable with all 24 V Hera - luminaires
  - to illuminate e.g. metal-, wood- and glass-shelves
  - every SPS adapter is equipped with two 24 V sockets - for the power supply of 2 shelves
  - the through-connected SPS power-track enables a mutually utilisation (ideal for e.g. „Gondola“ - applications)
  - illumination of up to 4 complete shelf-units with only one SPS power-track
  - the flexible power-supply enables refitting of existing shelves even with lower ceiling heights



# SPS Shelf Power System

Invisible shelf-power-supply 24 V



Article No.	Description	Illustration	Features	Weight
218 010 111 01	SPS power-track 1600 mm for 30x60x2,5 mm		<ul style="list-style-type: none"> <li>• can be shortened</li> <li>• incl. brackets for 30/60 mm profile</li> </ul>	275g
218 010 112 01	SPS power-track 2400 mm for 30x60x2,5 mm			410g
218 010 121 01	SPS power-track 1600mm for 30x80x2,5 mm		<ul style="list-style-type: none"> <li>• can be shortened</li> <li>• incl. brackets for 30/80 mm profile</li> </ul>	305g
218 010 122 01	SPS power-track 2400mm for 30x80x2,5 mm			450g
615 000 508 01	SPS adapter grid 25 Tego		<ul style="list-style-type: none"> <li>• with two LED 24 V-sockets, max. 48 W each</li> <li>• incl. detent</li> </ul>	30g
615 000 508 11	SPS adapter grid 50 Tego			30g
215 360 125 00	Supply cable SPS 2500mm max. 96W		<ul style="list-style-type: none"> <li>• with two LED 24 plugs each</li> <li>• connection between 24V transformer and SPS adapter as feeder element</li> </ul>	40g
610 014 931 01	LED Pipe SPS 610mm 4,8W nw		<ul style="list-style-type: none"> <li>• colour appearance nw (neutral white) approx. 4000 K</li> <li>• supply cable 700 mm with LED 24 plug</li> <li>• incl. 2 magnet holder clips and 3 self-adhesive cable brackets for variable self depth</li> </ul>	130g
610 014 932 01	LED Pipe SPS 960mm 7,6W nw			210g
610 014 933 01	LED Pipe SPS 1210mm 9,6W nw			280g

# **Hera**<sup>®</sup>

Hera GmbH & Co. KG  
Dieselstraße 9 · D-32130 Enger  
Postfach 440 · D-32124 Enger  
Telefon: +49/(0)52 24/911-0  
Telefax: +49/(0)52 24/911-215  
mail@hera-online.de  
www.hera-online.de



Download of  
the catalogue

## **Position as per 04/2015**

Subject to technical changes and errors without prior notice. All information provided without guarantee. No liability for literal mistakes.

## **Hera Lighting UK**

(Burcridge Ltd)

Eastlands Court Business Centre

St Peters Road

Rugby

Warwickshire CV21 3QP

Tel: 01788 555038

Fax: 01788 555039

E-mail: sales@burcridge.com

W. www.burcridge.com